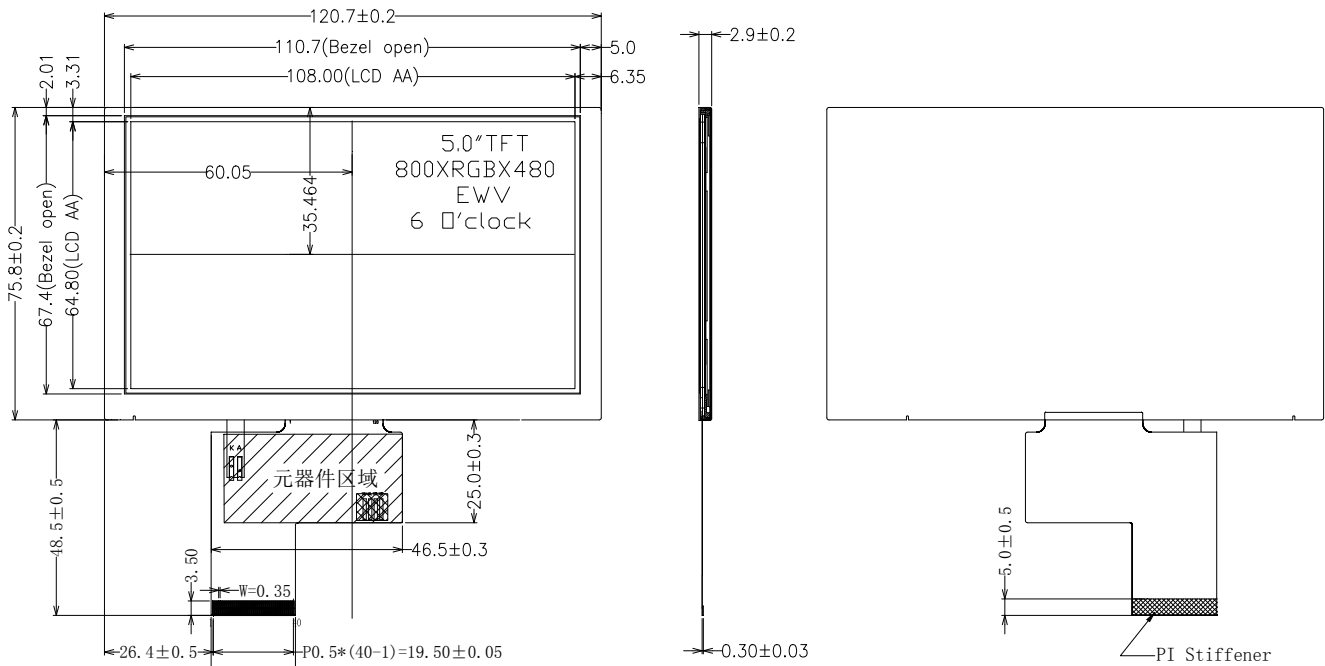


HGF05004



Unspecified tolerance is : ±0.3

Pin Connections

Pin	Symbol	I/O	Function	Pin	Symbol	I/O	Function
1	LEDK	0V	LED cathode	30	DCLK	H/L	Clock for input data
2	LEDA	18V	LED anode	31	DISP	H/L	Display on/off
3	V _{SS}	0V	Power ground	32	HSYNC	H/L	Horizontal sync input
4	DVDD	3.3V	Power supply	33	VS _{YNC}	H/L	Vertical sync input
5~12	R0~R7	H/L	Red data bus	34	DE	H/L	Data input enable
13~20	G0~G7	H/L	Green data bus	35	NC	-	Not connection
21~28	B0~B7	H/L	Blue data bus	36	V _{SS}	0V	Power ground
29	V _{SS}	0V	Power ground	37~40	NC	-	Not connection

Basic Specifications

Item	Specifications
Size	5 inch
Resolution	800×3(RGB)×480
Color depth	16M
Viewing direction	6 o'clock
Operation temperature	-20 °C ~70 °C
Storage temperature	-30 °C ~ 80 °C
Interface type	RGB interface

DC Electrical Characteristics&Backlight Driving Conditions

Item	Symbol	Min.	Typ.	Max.	Unit
Power supply	DVDD	3.0	3.3	3.6	V
Input logic high voltage	V _{IH}	0.7 DVDD	-	DVDD	V
Input logic low voltage	V _{IL}	0	-	0.3 DVDD	V
Power supply for LED backlight	V _F	17.6	18.6	19.8	V
Current for LED backlight	I _F	-	40	-	mA
Operating life time for LED backlight	Ta=25°C and I _F =40mA	-	20000	-	Hrs

Optical Specifications

Item		Symbol	Condition	Min.	Typ.	Max.	Unit
View angles	VERT	θ _T	CR ≥ 10 (Note)	40	50	-	Degree
		θ _B		60	70	-	
	HOR	θ _L		60	70	-	
		θ _R		60	70	-	
Contrast ratio		CR	θ=0°	-	500	-	-
Chromaticity	White	X	Backlight is on	0.284	0.304	0.324	
		Y		0.286	0.306	0.326	
Luminance		L	Ta=25°C and I _F =40mA	-	400	-	cd/m ²

Note: T:Top 12 o'clock; B:Bottom 6 o'clock; L:Left 9 o'clock; R:Right 3 o'clock